

Parts List

Ref	Var	IPN	Description
C1		220-01699-03	Pcb TM8100 Ctrl Hd TMA
C10		014-18100-05	Cap Tant SMD 10u 10v 10% A
C11		018-16100-00	Cap 0603 100n 16v x7r + - 10%
C12		018-16100-00	Cap 0603 100n 16v x7r + - 10%
C13		018-16100-00	Cap 0603 100n 16v x7r + - 10%
C15		018-16100-00	Cap 0603 100n 16v x7r + - 10%
C2		018-13470-00	Cap 0603 470p 50v X7r±10%
C3		018-15100-00	Cap 0603 10n 50v X7r ±10%
C4		018-15100-00	Cap 0603 10n 50v X7r ±10%
C5		018-16100-00	Cap 0603 100n 16v x7r + - 10%
C6		018-16100-00	Cap 0603 100n 16v x7r + - 10%
C7		018-13470-00	Cap 0603 470p 50v X7r±10%
C8		018-16100-00	Cap 0603 100n 16v x7r + - 10%
C9		018-16100-00	Cap 0603 100n 16v x7r + - 10%
C60		018-12470-10	Cap 0603 47p 50v NPO ±1%
D1		008-10004-00	LED SMD 0603 Green KGKT
D2		008-10004-00	LED SMD 0603 Green KGKT
D3		008-10004-00	LED SMD 0603 Green KGKT
D4		008-10004-00	LED SMD 0603 Green KGKT
D5		008-10004-00	LED SMD 0603 Green KGKT
D6		008-10004-00	LED SMD 0603 Green KGKT
D7		008-10004-00	LED SMD 0603 Green KGKT
D8		008-10004-00	LED SMD 0603 Green KGKT
D9		008-10004-00	LED SMD 0603 Green KGKT
D10		008-10004-00	LED SMD 0603 Green KGKT
D11		008-10004-00	LED SMD 0603 Green KGKT
D12		008-10004-00	LED SMD 0603 Green KGKT
D13		008-10004-00	LED SMD 0603 Green KGKT
D14		008-10004-00	LED SMD 0603 Green KGKT
D15		008-10004-00	LED SMD 0603 Green KGKT
D16		008-10002-00	LED SMD 0603 Red Ultrabright
D17		008-10004-00	LED SMD 0603 Green KGKT
D18		008-10001-00	LED SMD 0603 Orange KFKT
D20		001-10099-01	Diode BAV99w Dual Ss
D21		001-10099-01	Diode BAV99w Dual Ss
IC2		002-10161-80	IC SMD HT1608L LCD Drv 64P
IC3		002-13745-95	IC 74LV595 8BIT SHIFTRREG TSSOP
IC4		002-13741-65	IC SMD 74LV165 S/Reg Tssop16
IC5		002-13740-76	IC SMD 74LV74 2XD F/F TSSOP14
IC7		002-13740-15	IC 74LV14 SCH 6X INV TSSOP14
L1		057-10010-20	Ind 0603 Blm11-B102s 0.1a
P1		240-04048-00	Skt 8way Vert Rj45
Q1		000-10084-72	Xstr BC847BS NPN Dual SOT363
Q2		000-10084-72	Xstr BC847BS NPN Dual SOT363
Q3		000-10084-72	Xstr BC847BS NPN Dual SOT363
Q4		000-10084-72	Xstr BC847BS NPN Dual SOT363
R1		038-15330-10	RES 0603 33k 1% 1/10W
R2		038-14470-10	Res 0603 4k7 1% 100ppm
R3		038-14470-10	Res 0603 4k7 1% 100ppm
R4		038-14470-10	Res 0603 4k7 1% 100ppm
R5		038-14470-10	Res 0603 4k7 1% 100ppm
R6		038-14470-10	Res 0603 4k7 1% 100ppm
R7		038-14470-10	Res 0603 4k7 1% 100ppm
R8		038-15330-10	RES 0603 33k 1% 1/10W
R9		038-14330-10	RES 0603 3k3 1% 1/10W
R10		038-15330-10	RES 0603 33k 1% 1/10W
R11		036-10000-00	RES 0805 0R 1/8W
R12		038-13270-10	RES 0603 270R 1% 1/10W
R13		038-15100-10	RES 0603 10k 1% 1/10W
R14		038-13270-10	RES 0603 270R 1% 1/10W
R15		038-13270-10	RES 0603 270R 1% 1/10W
R16		038-13270-10	RES 0603 270R 1% 1/10W
R17		038-15330-10	RES 0603 33k 1% 1/10W
R18		038-15100-10	RES 0603 10k 1% 1/10W
R19		038-13270-10	RES 0603 270R 1% 1/10W
R20		038-13270-10	RES 0603 270R 1% 1/10W
R21		038-15330-10	RES 0603 33k 1% 1/10W
R22		038-15100-10	RES 0603 10k 1% 1/10W
R23		038-16100-10	RES 0603 100k 1% 1/10W
R24		038-13680-00	RES 0603 680R 5% 1/10W
R25		038-13270-10	RES 0603 270R 1% 1/10W
R26		038-13680-00	RES 0603 680R 5% 1/10W
R27		038-16100-10	RES 0603 100k 1% 1/10W
R28		038-15330-10	RES 0603 33k 1% 1/10W
R29		038-13680-00	RES 0603 680R 5% 1/10W
R30		038-15100-10	RES 0603 10k 1% 1/10W

Grid Reference Index

Ref	PCB	Circuit	Ref	PCB	Circuit
AGND	2:K1	G6	R23	2:D2	H9
C1	2:D3	D2	R24	2:F1	B9
C2	2:B1	J2	R25	2:H2	C9
C3	2:B2	J2	R26	2:G2	B9
C4	2:B2	J3	R27	2:E1	E9
C5	2:F1	D3	R28	2:J4	C10
C6	2:B2	H3	R29	2:C5	B10
C7	2:B2	J4	R30	2:J4	C10
C8	2:H3	E5	R31	2:K4	C10
C9	2:D1	J8	R32	2:D2	B10
C10	2:D1	G8	R33	2:E2	B11
C11	2:G1	J9	R34	2:J4	C11
C12	2:E1	E9	R35	2:J4	C11
C13	2:G5	G11	R36	2:J1	B11
C15	2:E4	K12	R37	2:J4	C11
C50	2:B4	F2	R38	2:K2	B12
C60	2:F2	C2	R39	2:F5	E13
D1	1:F4	B6	R40	2:K4	C12
D2	1:G4	B7	R41	2:K4	C12
D3	1:F4	B7	R42	2:F5	E13
D4	1:G4	B8	R43	2:K5	D12
D5	1:F2	B9	R44	2:K5	C12
D6	1:G2	B9	R45	2:F5	E13
D7	1:C4	B10	R46	2:K4	C13
D8	1:D2	B10	R47	2:K4	C13
D9	1:E2	B11	R48	2:K4	C13
D10	1:J2	B11	R49	2:K4	D14
D11	1:K2	B12	R50	2:D4	F2
D12	1:D3	C7	R51	2:D4	F2
D13	1:E2	C8	R52	2:C4	G2
D14	1:J2	C9	R53	2:C5	F2
D15	1:K3	C10	R60	2:F2	C2
D16	1:J4	C11	RV1	1:B4	D3
D17	1:K4	C12	SK1	2:C3	F1 E1 H1 C1 D1 G1
D18	1:L4	C14	SK2	2:K3	E2
D20	2:B1	H2	SW1	1:D2	B5
D21	2:B2	H4	SW2	1:E2	B5
D22	2:E1	E9	SW3	1:G2	B4
D23	2:D2	H9 H8	SW4	1:G1	B4
IC2	2:F3	G12	SW5	1:H2	B4
IC3	2:J3	D5	SW6	1:K2	B3
IC4	2:F1	C2	SW10	1:C4	F2
IC5	2:G1	F10 H10 J8			
IC7	2:D1	J7 E10 J10 K6 G9			
L1	2:B1	E2			
LCD1	1:G4	J13			
MIC+	2:K1	G6			
P1	1:B2	J3 J2 J4 J1			
P2	2:B3	E6 F6 G6			
P3	2:B2	H6 G6			
Q1	2:J2	A6 C9			
Q2	2:J4	C11 C10			
Q3	2:K4	C14 C12			
Q4	2:E4	C6 C8			
R1	2:C4	E3			
R2	2:K2	C3			
R3	2:H1	C4			
R4	2:G2	C4			
R5	2:G2	C4			
R6	2:E2	C5			
R7	2:E2	C5			
R8	2:H2	A6			
R9	2:H2	A6			
R10	2:D4	C6			
R11	2:B2	H6			
R12	2:E3	B6			
R13	2:E4	C6			
R14	2:D4	C7			
R15	2:E3	B7			
R16	2:E5	B7			
R17	2:D3	C7			
R18	2:D4	C7			
R19	2:E5	B8			
R20	2:E3	C8			
R21	2:J3	C8			
R22	2:J2	C9			

TM8100 mobiles

Control-Head Board (2-Digit Display) PCB Information



PCB IPN 220-01699-03

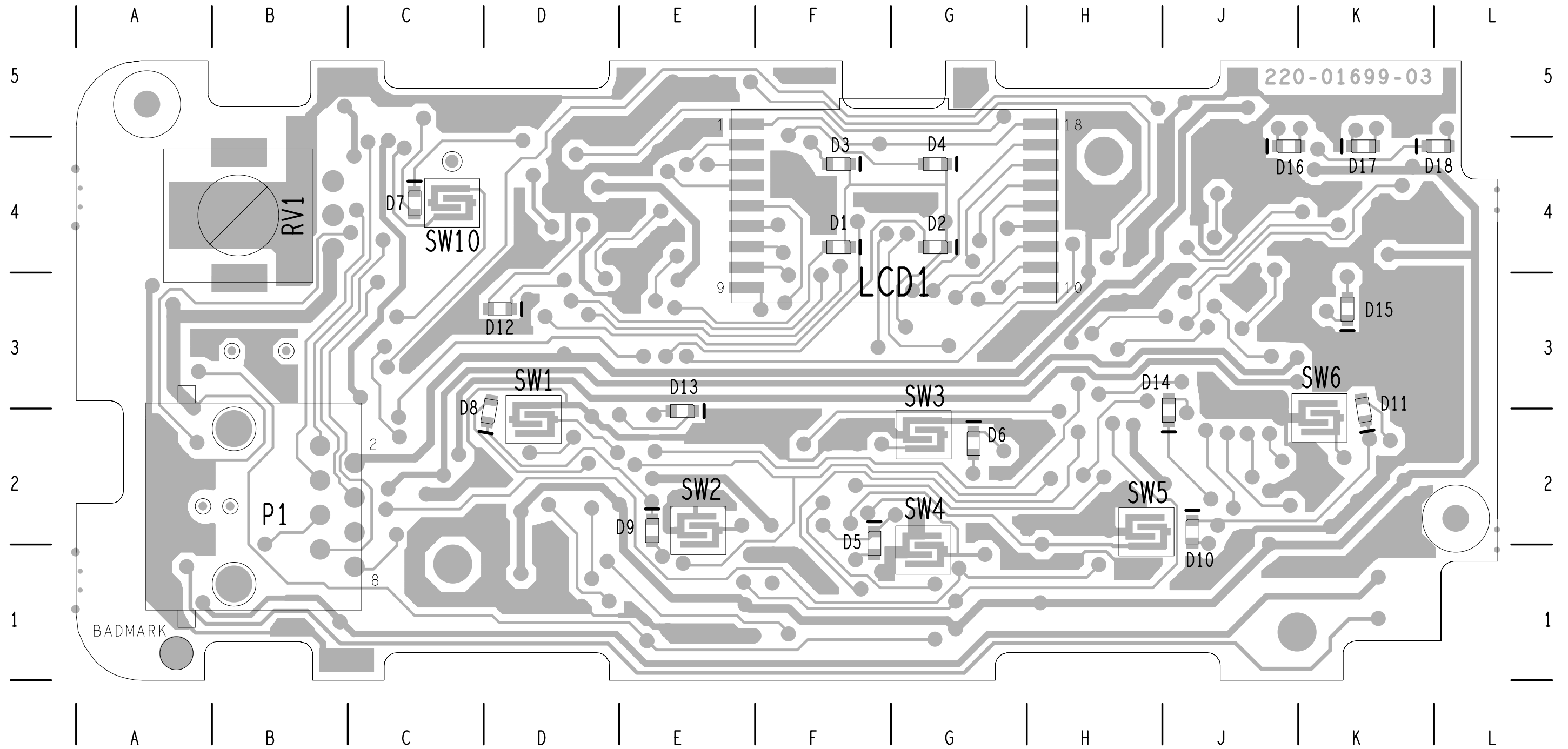
This PCB information applies to the control-head board for the TM8100 control head with 2-digit display.

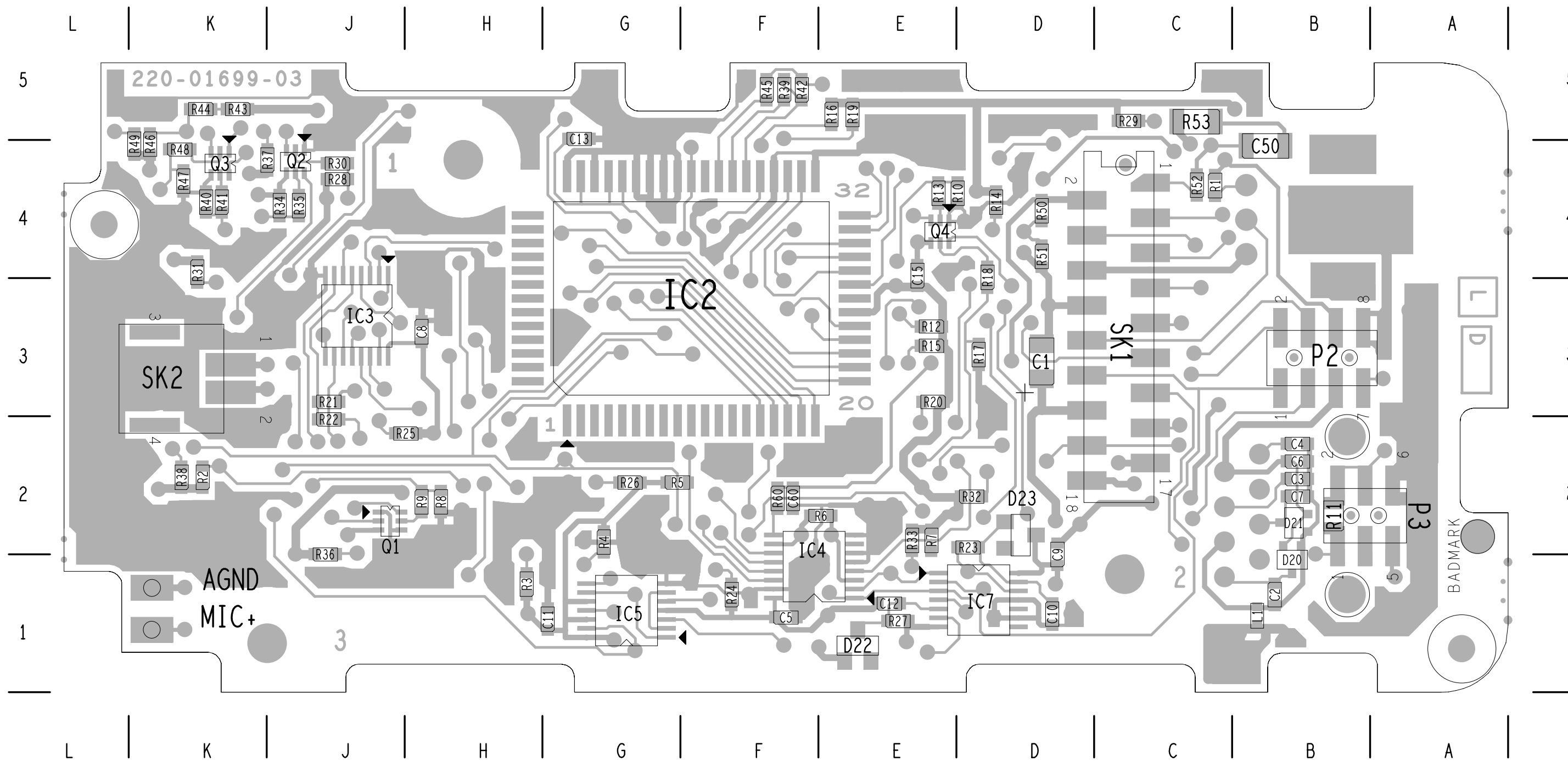
This document contains the following information:

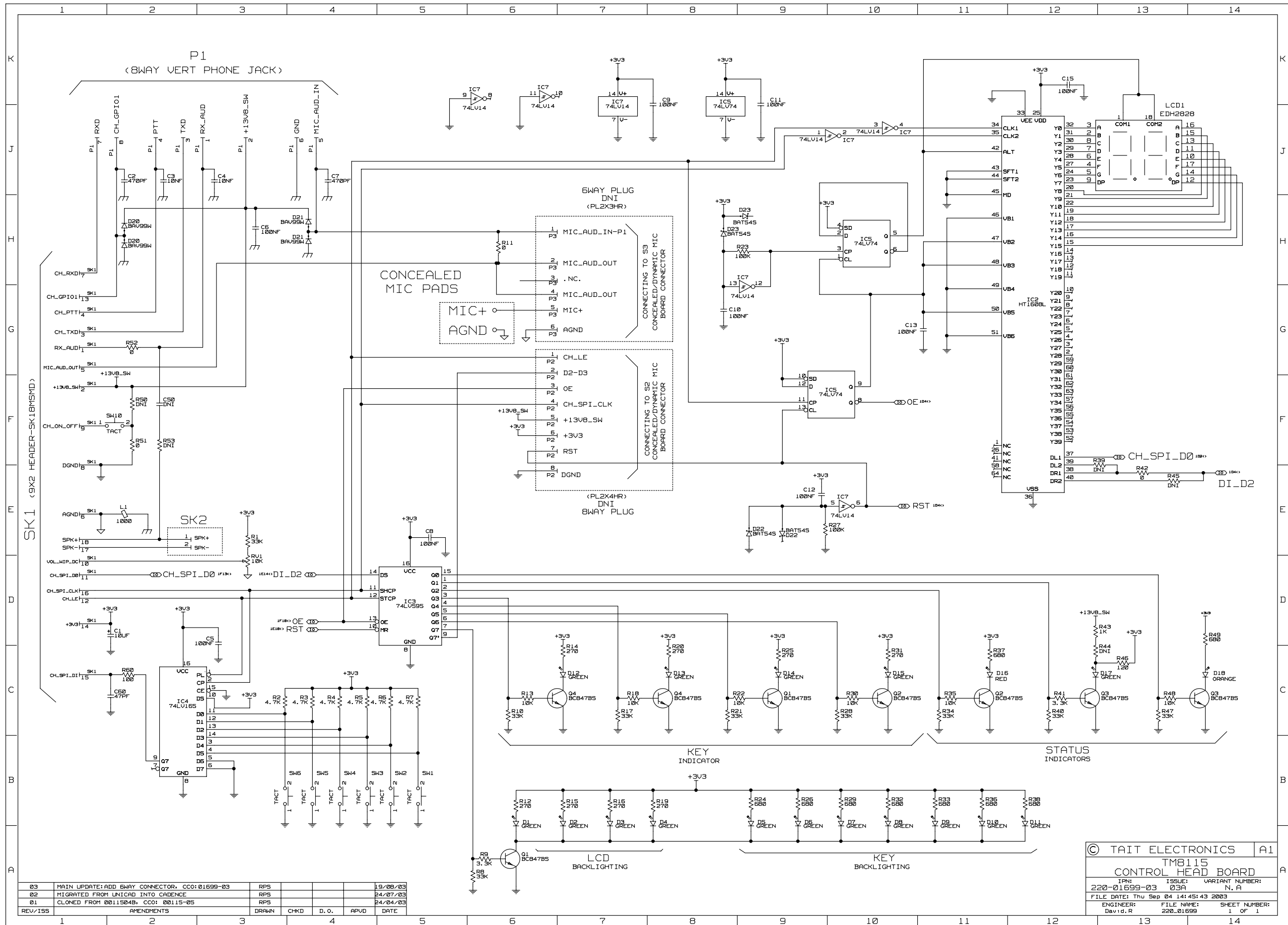
- Parts List (Rev. 5) Page 1
- Grid Reference Index Page 1
- PCB Layout – Top Side Page 2
- PCB Layout – Bottom Side Page 3
- Circuit Diagram Page 4

The component values in the circuit diagrams are indicative only. Refer to the parts list for actual values used.

MMA-00035-01
Issue 1
August 2005







REV/ISS	AMENDMENTS	DRAWN	CHKD	D.O.	APUD	DATE
03	MAIN UPDATE: ADD 6WAY CONNECTOR, CCO: 01699-03	RPS				19/08/03
02	MIGRATED FROM UNICAD INTO CADENCE	RPS				24/07/03
01	CLONED FROM 00115048, CCO: 00115-05	RPS				24/04/03

© TAIT ELECTRONICS		A1
TM8115		
CONTROL HEAD BOARD		
IPN: 220-01699-03	ISSUE: 03A	VARIANT NUMBER: N.A.
FILE DATE: Thu Sep 04 14:45:43 2003	ENGINEER: David.R	FILE NAME: 220_01699
		SHEET NUMBER: 1 OF 1